

PRODUCT INFORMATION PACKET

Model No: 056B11F5303
Catalog No: G578
1/2, 1140, TEFC, 56C, 1/60/115/208-230
Totally Enclosed Fan Cooled (TEFC)



Regal and Marathon are trademarks of Regal Beloit Corporation or one of its affiliated companies.
©2018 Regal Beloit Corporation, All Rights Reserved. MC017097E



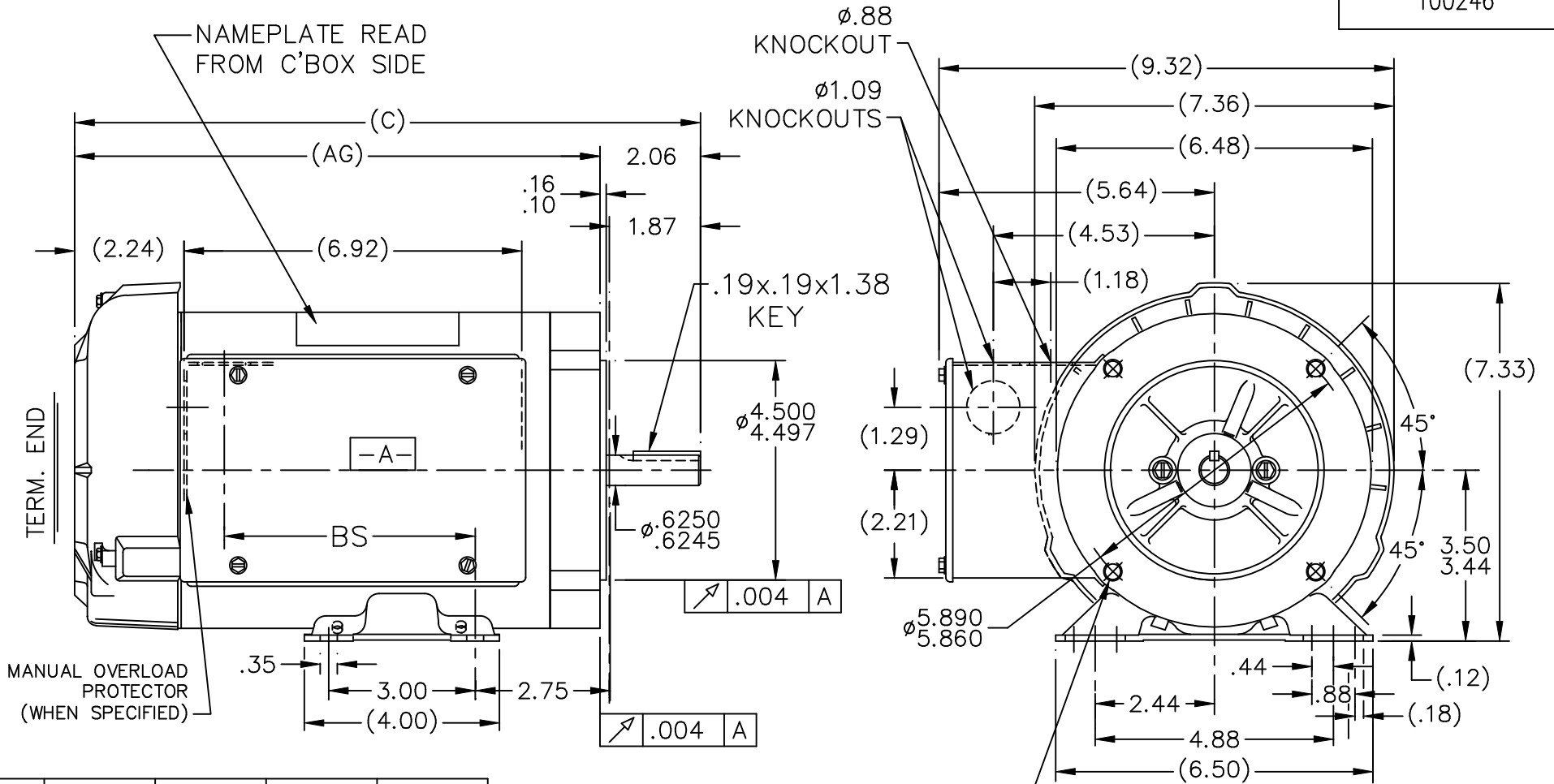
Nameplate Specifications

Output HP	0.50 Hp	Output KW	0.37 kW
Frequency	60 Hz	Voltage	115/208-230 V
Current	9.6/4.7-4.8 A	Speed	1140 rpm
Service Factor	1.15	Phase	1
Efficiency	64 %	Duty	Continuous
Insulation Class	B	Design Code	N
KVA Code	M	Frame	56C
Enclosure	Totally Enclosed Fan Cooled	Overload Protector	No
Ambient Temperature	40 °C	Drive End Bearing Size	6203
Opp Drive End Bearing Size	6203	UL	Recognized
CSA	Y	CE	Y
IP Code	43		

Technical Specifications

Electrical Type	Capacitor Start Capacitor Run	Starting Method	Across The Line
Poles	6	Rotation	Selective Counterclockwise
Mounting	Rigid base	Motor Orientation	Horizontal
Drive End Bearing	Ball	Opp Drive End Bearing	Ball
Frame Material	Rolled Steel	Shaft Type	NEMA 56
Overall Length	13.32 in	Frame Length	8.06 in
Shaft Diameter	0.625 in	Shaft Extension	2.06 in
Assembly/Box Mounting	F1 Only		
Outline Drawing	A-100246-806	Connection Diagram	102006-51

This is an uncontrolled document once printed or downloaded and is subject to change without notice. Date Created: 07/02/2018



DASH	FR.	C	AG	BS
756	56-75	12.82	10.75	5.14
806	56-80	13.32	11.25	5.64
856	56-85	13.82	11.75	6.14
906	56-90	14.32	12.25	6.64
956	56-95	14.82	12.75	7.14

3/8-16 UNC-2B
 .56 MIN. FULL THD.
 4 HOLES

NOTES:
 1. REMOVABLE BASE

				TOLERANCES UNLESS SPECIFIED		MARATHON ELECTRIC	DRAWN MJD 03-27-1998					
				DEC.	INCHES		CHK	ML	04-02-1998			
				.X	±.1	TITLE OUTLINE 56 FR. - BB - 1° - C'FACE	APPD	GK	04-02-1998	SCALE	5=16	
				.XX	±.03		REF			FMF		
				.XXX	±.005		FINISH			PREV		
				.XXXX	±.0005		MAT'L.					
2	REDRAWN ON CADD		MJD	04-02-1998	CHK	ANG	±7'30"	CAD FILE	100246	SIZE	A	
NO.	REVISION		BY & DATE		RFP			DRAWING NO.	100246	PAGE	OF	
				DIST	WP			100246		REV.	2	

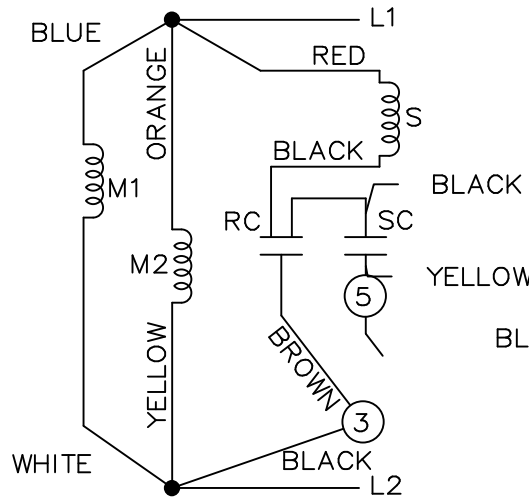
THIS DRAWING IN DESIGN AND DETAIL IS OUR PROPERTY AND MUST NOT BE USED EXCEPT IN CONNECTION WITH OUR WORK ALL RIGHTS OF DESIGN AND INVENTION ARE RESERVED THIS IS AN ELECTRONICALLY GENERATED DOCUMENT - DO NOT SCALE THIS PRINT

```
ERROR: syntaxerror  
OFFENDING COMMAND: --nostringval--
```

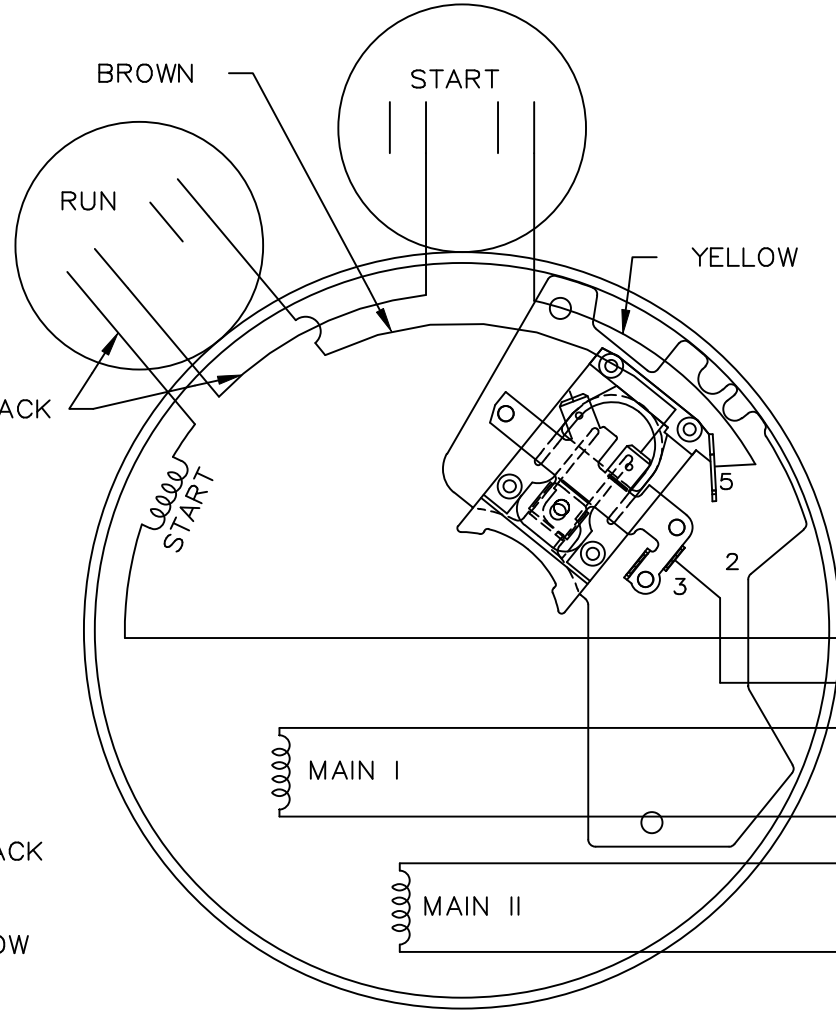
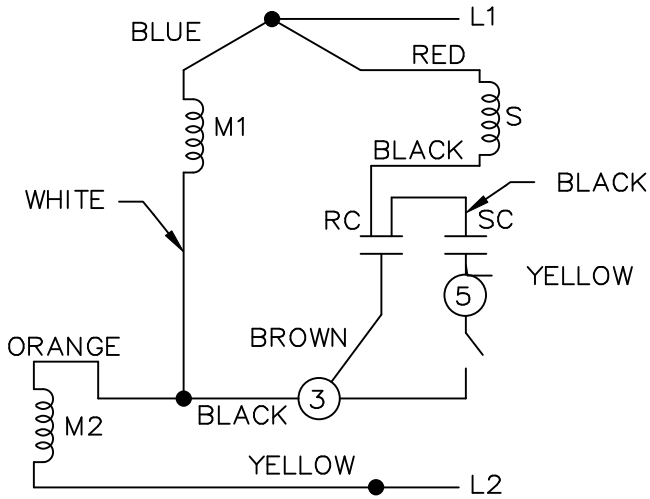
```
STACK:
```

```
/terminate  
-dictionary-  
/Pscript_WinNT_Compact  
-dictionary-
```

LOW VOLTAGE C.C.W.

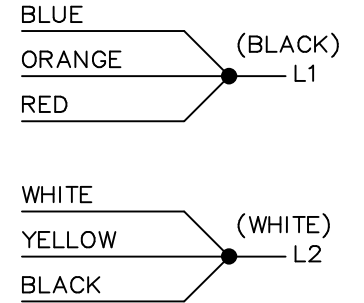


HIGH VOLTAGE C.C.W.

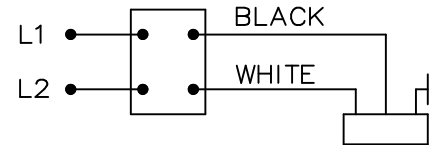
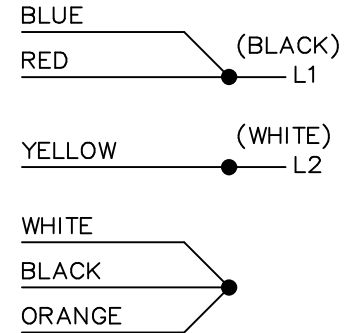


DUAL VOLTAGE CAPACITOR
START-CAP RUN NO OVERLOAD
SELECT ROTATION

LOW VOLTAGE C.C.W. ROTATION



HIGH VOLTAGE C.C.W. ROTATION



FOR C.W. ROTATION,
EITHER VOLTAGE,
INTERCHANGE RED WITH
BLACK LEAD

			TOLERANCES UNLESS SPECIFIED		MARATHON ELECTRIC	DRAWN DT 06-07-1996
			DEC.	INCHES		CHK MRB 06-16-1996
			.X	±.1	TITLE CONNECTION DIAGRAM	APPD GK 06-16-1996
			.XX	±.02		SCALE 5=8
9	ADDED CORD AND SWITCH VIEW MU37521	DRS 06-22-2001	.XXX	±.005		REF
8	REDRAWN ON CADD	DT 06-16-1996	.XXXX	±.0005	MAT'L.	FMF
NO.	REVISION	BY & DATE	CHK	ANG ±7'30"	FINISH	PREV
THIS DRAWING IN DESIGN AND DETAIL IS OUR PROPERTY AND MUST NOT BE USED EXCEPT IN CONNECTION WITH OUR WORK ALL RIGHTS OF DESIGN AND INVENTION ARE RESERVED THIS IS AN ELECTRONICALLY GENERATED DOCUMENT - DO NOT SCALE THIS PRINT			RFP	CAD FILE 102006-51		SIZE A
			DIST WP			DRAWING NO. 102006-51
					PAGE OF 9	
					REV. 9	

CERTIFICATION DATA SHEET

Model#: 56B11F5303 K WINDING#: ZB601 NONE 3
 CONN. DIAGRAM: 102006-51 ASSEMBLY: F1 ONLY
 OUTLINE: A-100246-806

TYPICAL MOTOR PERFORMANCE DATA

HP	KW	SYNC. RPM	F.L. RPM	FRAME	ENCLOSURE	KVA CODE	DESIGN
1/2&1/3	.37&0.25	1200	1140&950	56C	TEFC	M	N

PH	Hz	VOLTS	FL AMPS	START TYPE	DUTY	INSL	S.F	AMB°C	ELEVATION
1	60/50	115/208- 230#110/220	9.6/4.7- 4.8&10.4/5.2	ACROSS THE LINE	CONTINUOU S	B3	1.15/1.0	40	3300

FULL LOAD EFF: 64.0	3/4 LOAD EFF: 60.5	1/2 LOAD EFF: 52.5	GTD. EFF	ELEC. TYPE	NO LOAD AMPS
FULL LOAD PF: -	3/4 LOAD PF: 47	1/2 LOAD PF: 38	0	CAP START CAP RUN	8 / 4

F.L. TORQUE	LOCKED ROTOR AMPS	L.R. TORQUE	B.D. TORQUE	F.L. RISE°C
35.9 LB-FT	47 / 23.5	109 LB-FT -	104 LB-FT -	-

SOUND PRESSURE @ 3 FT.	SOUND POWER	ROTOR WK^2	MAX. WK^2	SAFE STALL TIME	STARTS /HOUR	APPROX. MOTOR WGT
50 dBA	60 dBA	0 LB-FT^2	- LB-FT^2	10 SEC.	-	0 LBS.

*** SUPPLEMENTAL INFORMATION ***

DE BRACKET TYPE	ODE BRACKET TYPE	MOUNT TYPE	ORIENTATION	SEVERE DUTY	HAZARDOUS LOCATION	DRIP COVER	SCREENS	PAINT
C-FACE	BRAKE	RIGID	HORIZONTAL	FALSE	NONE	FALSE	NONE	GRAY (POWDER)

BEARINGS		GREASE	SHAFT TYPE	SPECIAL DE	SPECIAL ODE	SHAFT MATERIAL	FRAME MATERIAL
DE	OPE						
BALL	BALL	POLYREX EM	STANDARD 56	NONE	NONE	1144 STRESSPROOF (C-223)	ROLLED STEEL
6203	6203						

THERMO-PROTECTORS				THERMISTORS	CONTROL	SPACE /n HEATERS
THERMOSTATS	PROTECTORS	WDG RTDs	BRG RTDs			
NONE	NOT	NONE	NONE	NONE	FALSE	NONE VOLTS

If Inverter equals NONE, contact factory for further information

*
N
O
T
E
S
*

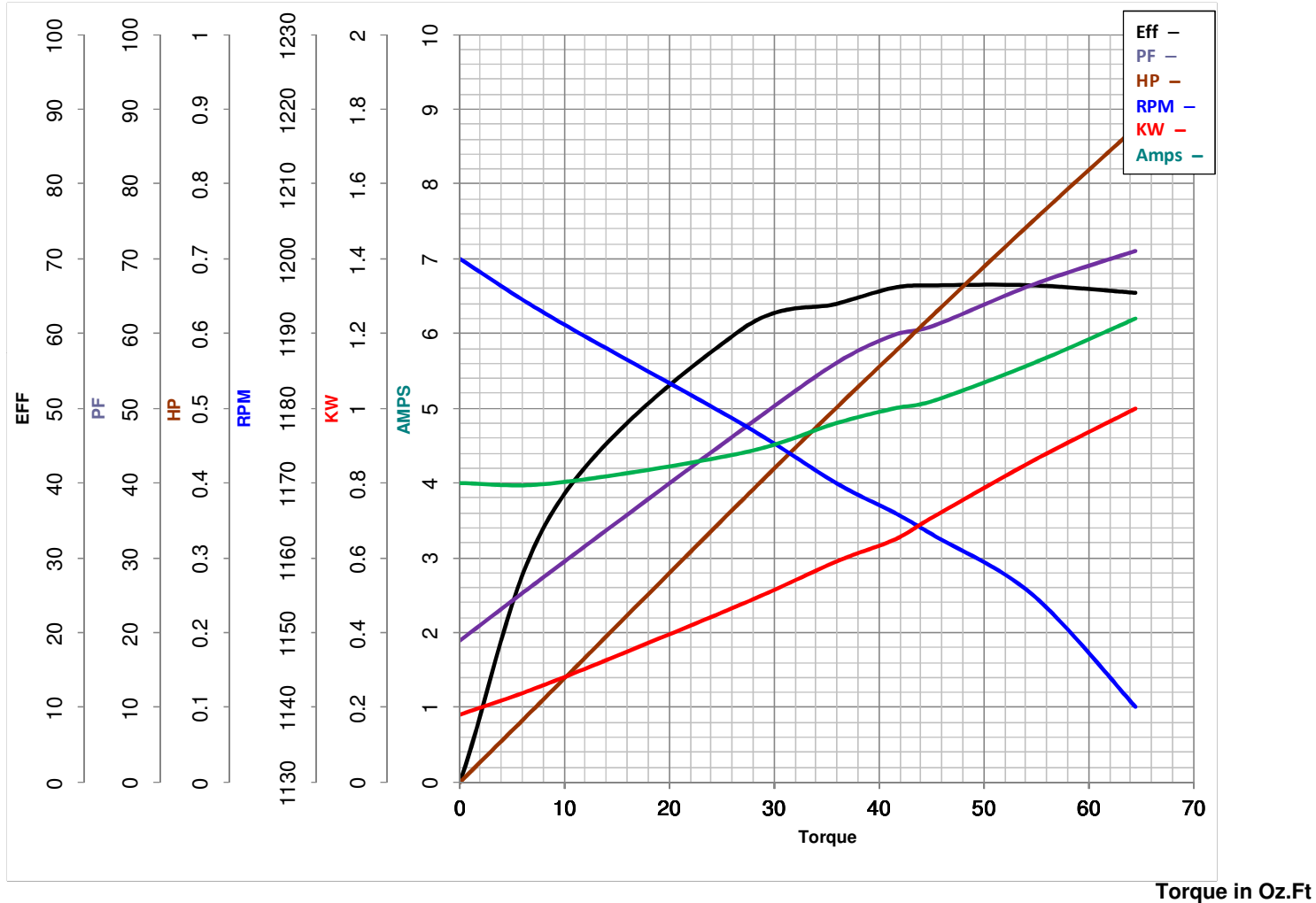
INVERTER TORQUE: NONE
INV. HP SPEED RANGE: NONE
ENCODER: NONE
NONE NONE
NONE NONE PPR
BRAKE: PROVISIONS FOR KIT NONE
NONE P/N NONE
NONE NONE
NONE FT-LB NONE V NONE Hz

DATE: 06/21/2017 07:57:40 AM
 FORM 3531 REV.3 02/07/99
 ** Subject to change without notice.

MARATHON ELECTRIC CORPORATION

TYPICAL PERFORMANCE CURVE for AC MOTOR

Customer _____ Curve at 230 Volts HP 0.5&0.34 PHASE 1
 Model No 56B11F5303 60 HZ
0.5 HP VOLTS 115/208-230&110/220
 Catalog No G578 HZ 60&50 RPM 1140&950



FL TORQUE	<u>35.9</u>	Oz.Ft	FL AMPS	<u>9.6/4.7-4.8</u>
BD TORQUE	<u>104.0</u>	Oz.Ft	PU TORQUE	<u>78.9</u>
LR TORQUE	<u>109</u>	Oz.Ft	LR AMPS	<u>23.5</u>
WINDING	ZB601-3	Prepared By	VINAYAK	Date
				8/21/2017